



2015 Chevrolet Silverado 2500/3500 HD Upper Class Bumper Grille

TOOLS REQUIRED:

Phillips Head Screwdriver
Flat Head Screwdriver
10mm Socket
Ratchet & Extensions

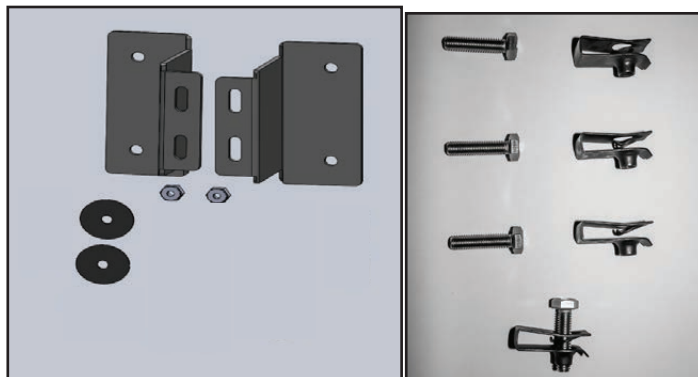
PARTS LIST

(2) 10-32 Nylon Lock
(2) 1"x3/16" flat washer
(4) 10mm x 1" Bolts
(4) #10 Large U Nuts
(2) Mounting Brackets

NOTE:

- We recommend painting all areas exposed behind grille black prior to installing for best results.

PLEASE READ AND UNDERSTAND ALL INSTRUCTIONS BEFORE INSTALLATION. Auto makers offer varied models to each vehicle and occasionally manufacture more than one body style of the same model. To assure your part is correct; our tech department can be contacted at tech@trexbillet.com to verify fitment or assist with tech questions. All other inquires can be directed to info@trexbillet.com. In the event you do not have internet access please call 1-800-287-5900.



Step 1

Open hood and remove the 12 plastic push clips securing the plastic radiator shroud to the radiator core. Carefully use a flat head screwdriver to release the clip up, you can now remove the clips. Once all clips have been removed the plastic radiator shroud can be removed. (Fig 1)



Step 2

Using your 10mm socket and ratchet remove the four (4) 10mm bolts securing the upper grille assembly to the radiator support. (Fig 2)



52122/55122

2015 Chevrolet Silverado
2500/3500 HD



52122/55122

2015 Chevrolet Silverado
2500/3500 HD

Step 3

Gently lift the top of grille assembly up while pulling back at the same time. Depress the four (4) release tabs located on the inside of the factory grille assembly with your flat head screwdriver. Firmly grasp the grille pulling away from the vehicle to remove it. (Fig 3)



Fig 3

Step 4

Remove the two 10mm bolts securing the plastic grille cover to the bumper. Insert the mounting bracket in its location (bracket tabs should be facing towards center of opening). Insert the two U Nuts into the mounting bracket as shown. Secure the brackets with the factory screws. (Fig 4)

If your vehicle does not have the factory mounting bolts use the supplied #10 U nuts over the mounting holes, install as stated above and secure with the included #10 screws and washers.



Fig 4

Step 5

Insert the grille into the bumper opening. Secure the grille to the bracket in place with the included washers and nylock nuts. (Fig 5)



Fig 5

Step 6

Your installation is now complete. Reattach the grille assembly back to the vehicle in reverse order of removal. Make sure you reattach all clips and screws. (Fig 6)



Fig 6