

T-REX

GRILLES



ZROADZ SERIES GRILLE

MAIN GRILLE - # Z315821

2020 FORD RANGER

ALL RIGHTS RESERVED - COPYRIGHT ©2020 -T-REX TRUCK PRODUCTS, INC.

PARTS INCLUDED

- (1) ZROADZ Main Grille - Part # Z315821
- (1) Grille Top Mounting Bracket
- (1) Grille Bottom Mounting Bracket
- (1) ZROADZ 20" Single Row LED Light Bar
- (1) Wiring Harness
- (1) Hardware Pack

HARDWARE INCLUDED

- (3) - Grille Retainer Clips

TOOLS REQUIRED

- Prying Tool
- Various Socket Set
- Various Wrenches
- Ratchet Tool
- Ratchet Extensions

INSTALLATION GUIDE

BEFORE YOU BEGIN

PLEASE READ AND UNDERSTAND ALL INSTRUCTIONS BEFORE INSTALLATION. Auto makers offer varied models to each vehicle and occasionally manufacture more than one body style of the same model. To assure your part is correct; our tech department can be contacted at tech@trexbillet.com to verify fitment and assist with technical questions. All other inquires can be directed to info@trexbillet.com. In the event you do not have internet access please call 1-800-287-5900.

* APPLICATION MODELS VARY. WE RECOMMEND TO VERIFY FITMENT BEFORE BEGINNING INSTALLATION PROCESS.
* IMAGES FEATURED IN THE INSTRUCTION DOCUMENTS MAY NOT ALWAYS EXACTLY MATCH YOUR MODEL OR PART.

START HERE

Turn off engine, chalk tires with stop block, open the hood and disconnect the battery.

LED LIGHT BAR INSTALLATION

STEP 1

1) Open and unbox the T-REX package. Sort out all components and hardware pack.

The ZROADZ Series Grille may not have the LED Light Bar installed to the new Grille. Do that now with the supplemental ZROADZ Insert.



FIG 1

STEP 2

2) The OEM Factory Grille will have to be removed.

Before you begin, apply a protective layer of low adhesive "painters tape" such as 3M Safe Release or Scotch Blue on the vehicle around the grille and work area to protect the paint & finish.

SEE FIGURE 2

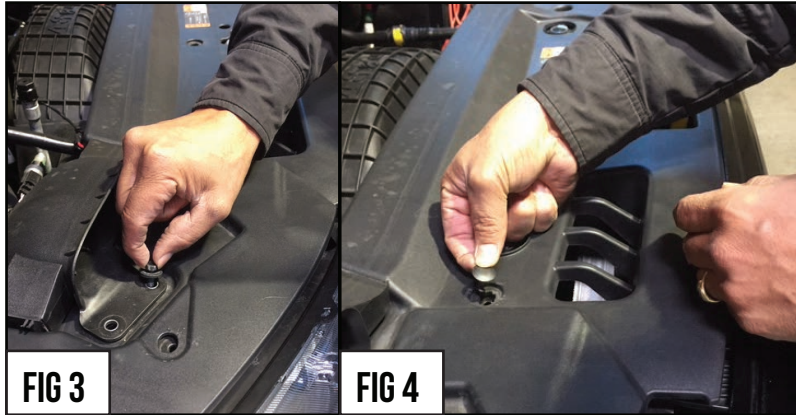


FIG 2

ZROADZ SERIES GRILLE

MAIN GRILLE - # Z315821
2020 FORD RANGER

GRILLE REMOVAL - CONTINUED



STEP 3

SEE FIGURES 3 & 4

3) Remove the 2 bolts and then the plastic clips as seen in Figures #3 & #4.

Set aside hardware for grille re-installation and repeat on opposite side.

STEP 4

SEE FIGURE 5

4) Remove the Radiator Panel Cover.

Set aside for re-installation.

STEP 5

SEE FIGURES 6 - 8

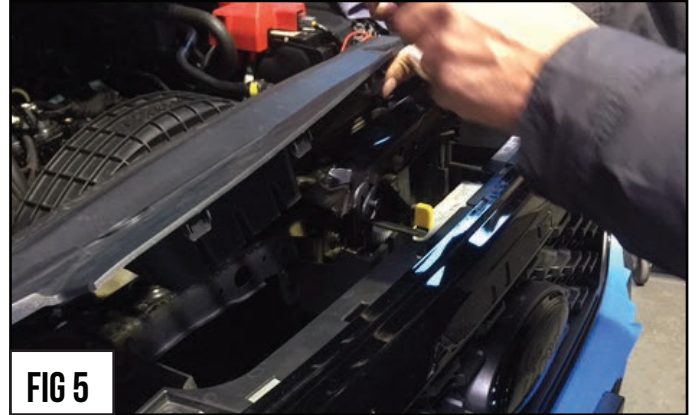
5) With the Radiator Panel Cover removed, you now have access to 2 bolts in the top of grille and the AC Cooler Cover Panel.

Remove these set aside for re-installation.

STEP 6

SEE FIGURE 8

6) Figure #8 highlights the area of the AC Cooler Cover Panel.



GRILLE REMOVAL CONTINUED

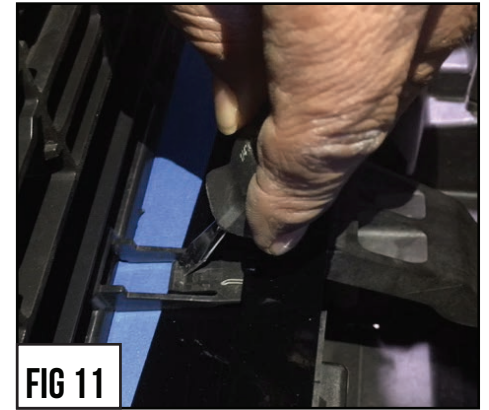


GRILLE REMOVAL - CONTINUED

ZROADZ SERIES GRILLE

MAIN GRILLE - # Z315821
2020 FORD RANGER

GRILLE REMOVAL - CONTINUED



STEP 7

SEE FIGURES 9 - 11

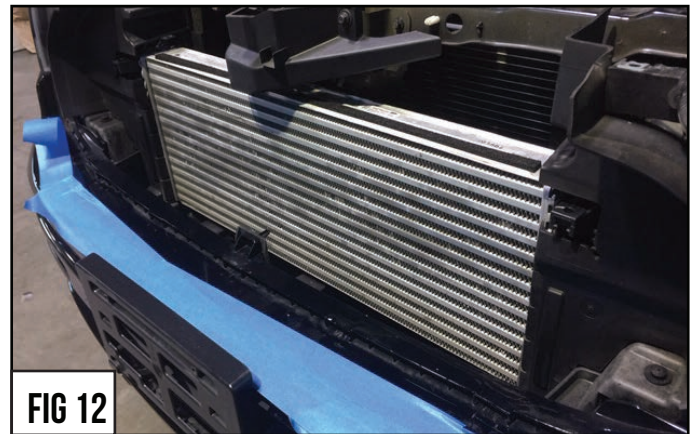
7) Now you have access to behind the grille bottom where there are 3 Retainer Clip holding and securing the grille in place.

Push down on each Retainer Clip to release and pull the grille at the same time. The grille should now be free to remove.

STEP 8

SEE FIGURE 12

8) Remove the grille and set aside.



STEP 9

9) Put the new T-REX Grille face down on a soft padded surface and prepare your work area for grille assembly.

STEP 10

SEE FIGURES 13 & 14

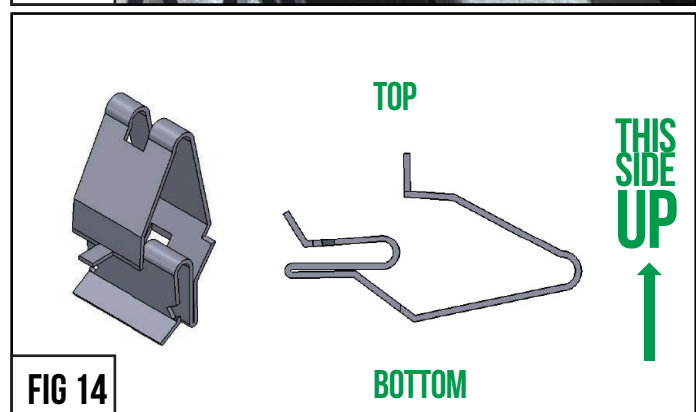
10) Carefully Put into place the new Retainer Clip provided in the T-REX Hardware Pack and install onto the Grille Mounting Brackets in the pre-determined mounting points.

Make sure all of the Retainer Clips are installed properly and with the correct orientation as seen in Figure #16.

GRILLE ASSEMBLY



FIG 13



GRILLE ASSEMBLY - COMPLETE

ZROADZ SERIES GRILLE

MAIN GRILLE - # Z315821
2020 FORD RANGER

GRILLE INSTALL - START

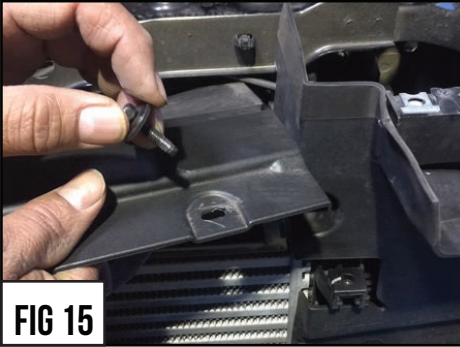


FIG 15



FIG 16



FIG 17

STEP 11

SEE FIGURE 15

11) Put back into place and re-install the AC Cooler Cover Panel that was removed in Step #5.

STEP 12

SEE FIGURES 16 & 17

12) Take the assembled T-REX Grille and put into place to install onto vehicle. Align the pre-determined mounting / Retainer Clips with the factory grille mounting provisions. Start with the bottom first and then the top.

Secure the grille to vehicle by screwing the bolts that were removed in Step #5.

STEP 13

SEE FIGURE 18 & 19

13) Take the ZROADZ LED Light Bar Power Cable and connect to the provided Wiring Harness.

Finally, Re-Install the Vehicle's Radiator Cover Panel.

STEP 14

INSPECT YOUR WORK

14) Carefully inspect your work and make certain all vehicle panels have been installed and align correctly as factory fitment.

GRILLE INSTALL - COMPLETE

INSTALLATION



FIG 18



FIG 19



FIG 20



ALL RIGHTS RESERVED - COPYRIGHT ©2020 - T-REX TRUCK PRODUCTS, INC.

PRODUCT WARRANTY

PRODUCT WARRANTY

T-REX Truck Products warrants its grille products to be free from defects in material and workmanship for the lifetime of the grille. T-REX warrants the finish of its grille products for a 3 year period beginning at the time of sale to the end user. These warranties are limited warranties and do not cover abuse, modification or improper installation nor do they cover finish failure caused by caustic cleaning agents, road salts or other chemicals. T-REX reserves the right to repair or replace a defective product at its sole discretion. Any T-REX product must be returned to T-REX for warranty consideration and must be returned at the customer's expense. In the event that the product is deemed to be defective, the repaired or replaced item will be returned via a surface shipping method to the customer at T-REX expense. No provision is made for any labor, rental car or other costs incurred by the failure of its products.

LED LIGHTING EQUIPMENT INSTALLATION / DISCLAIMER

WARNING

PLEASE CONSULT YOUR LOCAL AUTOMOTIVE ELECTRICAL PROFESSIONAL FOR INSTALLATION SERVICES AND ADVICE. ZROADZ IS ONLY EQUIPPED TO PROVIDE BASIC TECHNICAL ASSISTANCE DUE TO THE DIVERSITY OF VEHICLES, VEHICLE OPTIONS & MODIFICATIONS AND LIGHTING CONFIGURATION OPTIONS AVAILABLE.

ZROADZ cannot be held liable due to improper component installation and / or faulty wiring.

GENERAL GUIDELINES

LED Lights & LED Light Bars operate at relatively high currents and should only be installed by qualified personnel with experience in Switched / relayed high draw DC Circuits.

- Light Bars are designed for use only with standard 12v DC power systems
- Light Bars are for OFF-ROAD USE ONLY. Check your local laws & regulations regarding vehicle mounted lights.
- Some Light Bars are equipped with waterproof connectors while others are simply pig-tailed
- Red Wires = POSITIVE | Black Wires = NEGATIVE
- ALWAYS install your lights on a fused circuit. Basic fusing guidelines: maximum 5A for every 10" of LED Light Bar.

GENERAL USE, INSTALL AND ADJUSTMENT TIPS

NOTE 1: ZROADZ LED Light Bars themselves are for OFF-ROAD USE ONLY.

NOTE 2: Light Bars depending on the configuration of your vehicle and its options and/or modifications may need to be adjusted for appropriate beam projection. To adjust the angle of your light bars simply loosen the mounting hardware on either side of each Light Bar, rotate the Light Bar to adjust the angle, then tighten the hardware once the desired angle is achieved (please be careful not to over-tighten the mounting hardware or scratch the protective powder-coat finish). It is best to adjust the angle with the vehicle on level ground with the lights facing a wall, garage door or other solid barrier at a distance of approximately 25-30 feet.

NOTE 3: Please consult a qualified automotive electrical professional for light bar wiring installation.

NOTE 4: An optional universal wiring harness (part# Z390020S-A) is also available that includes high-heat & oil/fuel resistant wires, waterproof connector, 12v relay, 12v rocker switch, in-line fuse holder. Our universal wiring harness significantly expedites the installation process but is not a vehicles specific "Plug & Play" product and does not eliminate the need for a professional installation.

Please contact your local ZROADZ dealer for more information or visit www.zroadz.com.

PRODUCT CARE INFORMATION

PRODUCT CARE INFORMATION

Wash regularly as you would when caring for your vehicles. Never use dish soap. Never leave wet water spots as that may leave a blemish.

SEMI-MATTE BLACK FINISH

Paint warranty applies to defects in material and / or workmanship, it does not cover the matte finish surface appearance. To enjoy the matte appearance for many years to come, please follow these owner care and maintenance tips. Get a no-shine matte car wash soap that uses no fillers, no silicone, and won't strip your matte paint of its layer of protection. Do not use wax, detail spray, armorall®, or any products made for normal paint. Use only products specifically developed for matte finish paint. Do not use products that are even mildly abrasive, such as polishes, glazes, or rubbing compounds. Do not use mechanical cleaners or polishers. Do not use terry cloth, cloth, or paper towels. Do not rub the finish vigorously, this will burnish the paint finish, causing a permanent shiny spot. Shiny spots cannot be removed.

Do not use commercial car wash facilities or their shine enhancement products. Most car wash brushes, large mechanized "towels", and shine enhancement products can damage matte paint.

Remove foreign substances such as insect remains, tar, and road debris using a soft applicator and a mild solvent; saturate and soak area before cleaning - rub lightly.

Hand-wash with a soft wash mitt and mild cleaning product safe for matte paint. Use microfiber cleaning cloths with alcohol-based window cleaner for basic surface clean-up.

ALUMINUM BRUSHED FINISH

Products with Brushed Aluminum Finish may be cleaned / washed regularly as you would when caring for your vehicles factory finish using soap and water. If any corrosion occurs, which it may overtime from collecting road debris, use soap and water with a Scotch-Brite Heavy Duty Hand Pad 7440 or similar light grit abrasive and the brushed finish will be restored. Never leave wet water spots as that may leave a blemish.