

## Jeep Gladiator

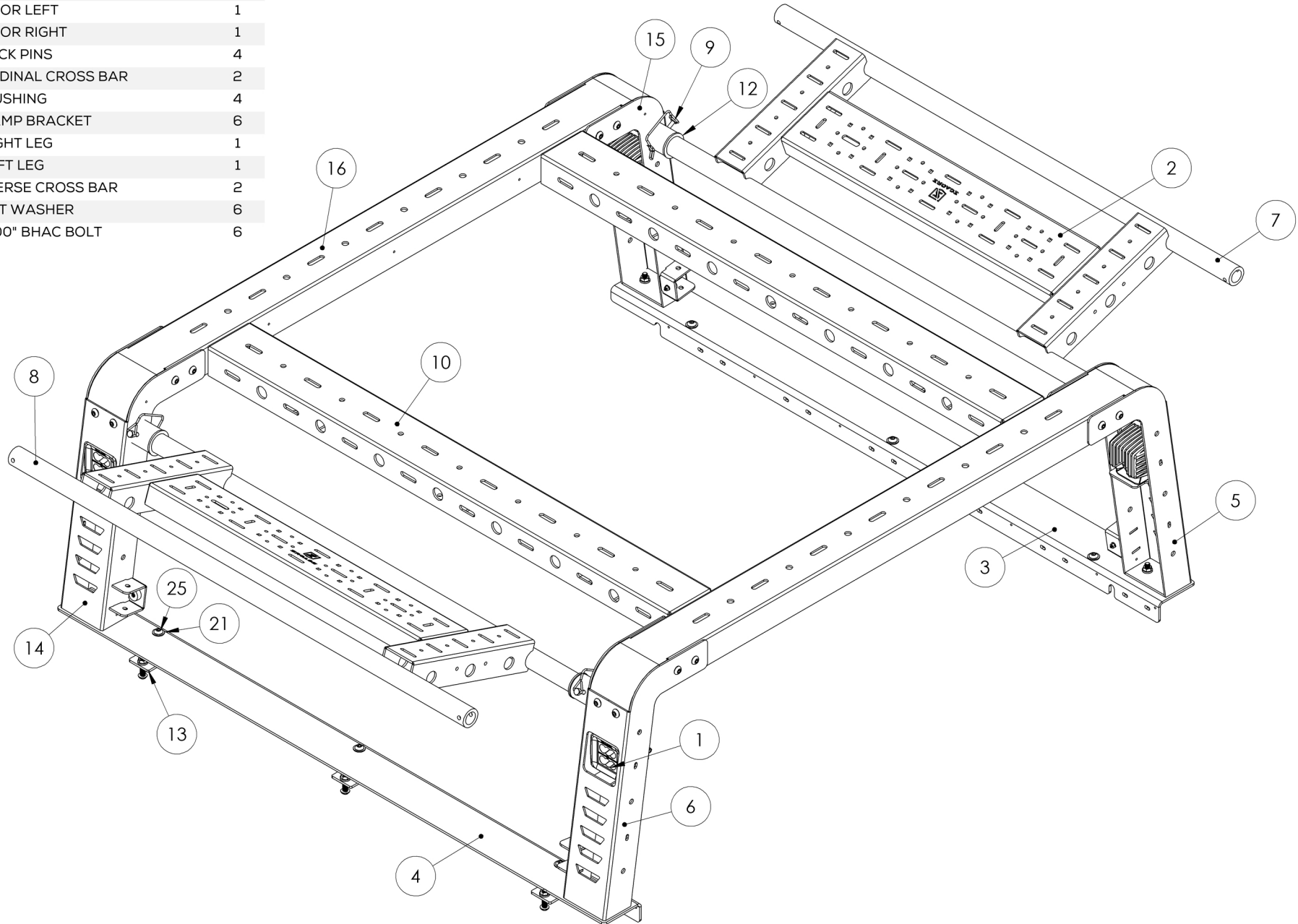
### Installation Instructions

zroadz.com  
951-372-0200

# Jeep Gladiator

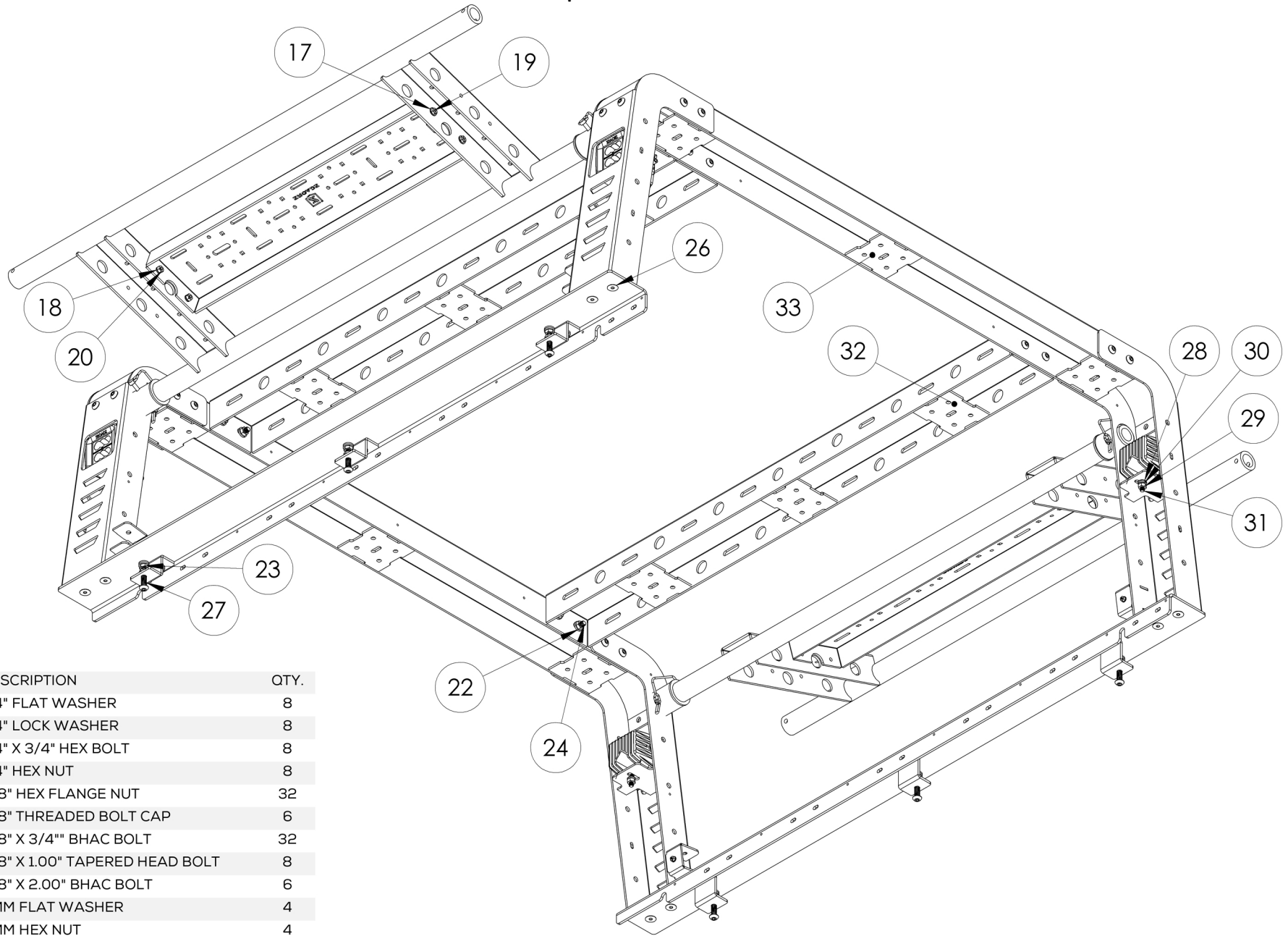
## Components - A

ITEM	DESCRIPTION	QTY.
1	2" LED LIGHT W/BRACKET	4
2	ACCESSORY PANEL	2
3	BASE RAIL LEFT	1
4	BASE RAIL RIGHT	1
5	FRONT LEFT LEG	1
6	FRONT RIGHT LEG	1
7	GATE DOOR LEFT	1
8	GATE DOOR RIGHT	1
9	GATE LOCK PINS	4
10	LONGITUDINAL CROSS BAR	2
12	PIVOT BUSHING	4
13	RAIL CLAMP BRACKET	6
14	REAR RIGHT LEG	1
15	REAR LEFT LEG	1
16	TRANSVERSE CROSS BAR	2
21	3/8" FLAT WASHER	6
25	3/8" X 1.00" BHAC BOLT	6



# Jeep Gladiator

## Components - B



ITEM	DESCRIPTION	QTY.
17	1/4" FLAT WASHER	8
18	1/4" LOCK WASHER	8
19	1/4" X 3/4" HEX BOLT	8
20	1/4" HEX NUT	8
22	3/8" HEX FLANGE NUT	32
23	3/8" THREADED BOLT CAP	6
24	3/8" X 3/4" BHAC BOLT	32
26	3/8" X 1.00" TAPERED HEAD BOLT	8
27	3/8" X 2.00" BHAC BOLT	6
28	8MM FLAT WASHER	4
29	8MM HEX NUT	4
30	8MM LOCK WASHER	4
31	8MM X 25MM BOLT	4
32	LONGITUDINAL ACCESSORY MOUNT	6
33	TRANSVERSE ACCESSORY MOUNT	6



## INSTALLATION INSTRUCTIONS

2020-2021 JEEP GLADIATOR

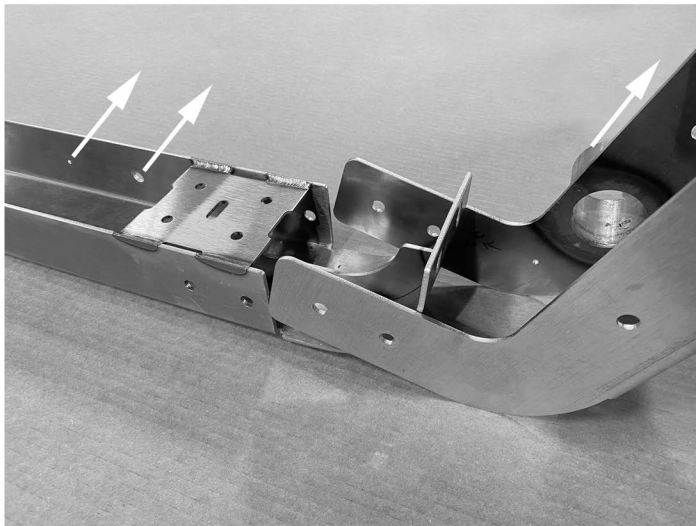
**PART NUMBER**  
Z834101

### TOOLS REQUIRED

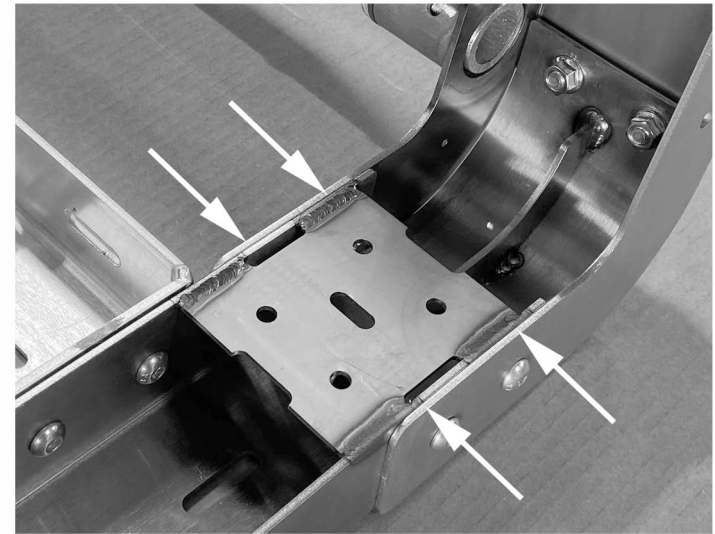
- >15mm wrench
- >13mm wrench
- >10mm wrench
- >3/8" drive ratchet
- >Torque wrench
- >Wire cutters

### INCLUDED

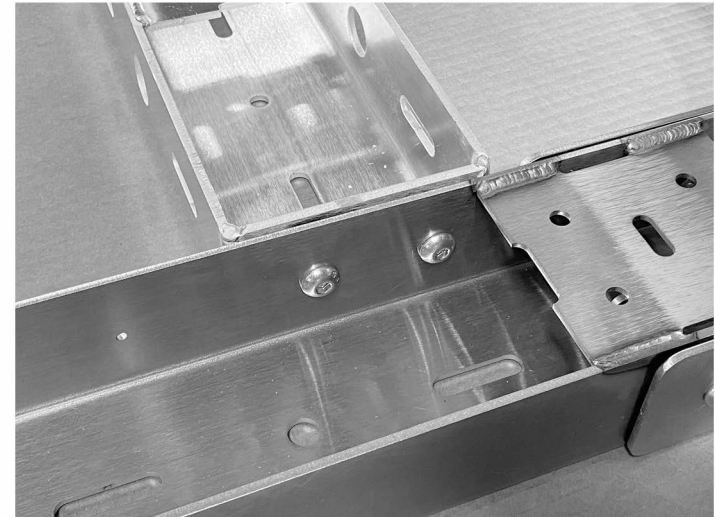
- >7/16" HEX KEY
- >PUSH RIVETS
- >WIRE CLAMPS
- >WIRE HARNESS
- >ZIP TIES



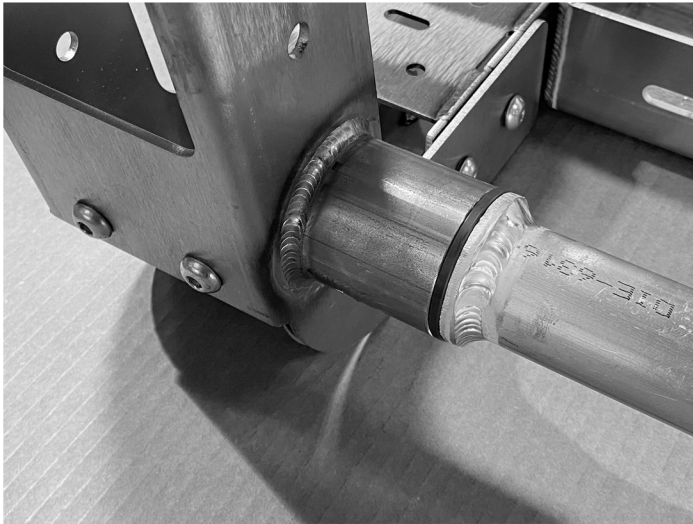
1. Install each leg to the transverse cross member. Use (6) 3/8"x1" button head bolts and flange lock nuts for each corner. Do not tighten securely. Make sure holes on the transverse cross member and gate pivot tube are facing the same direction.



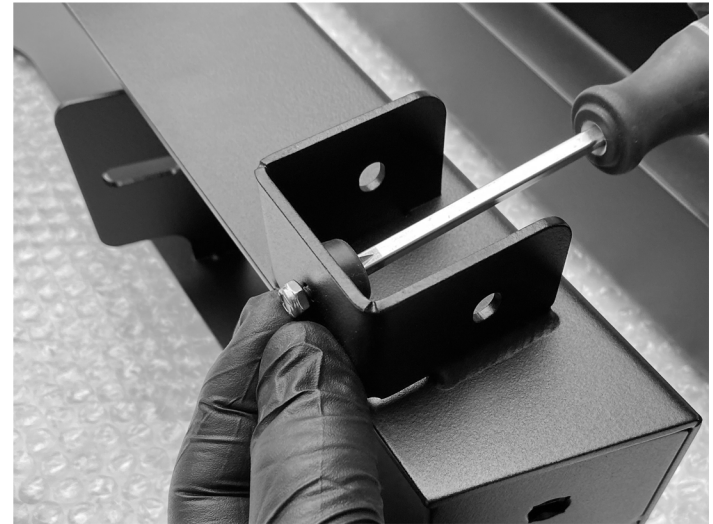
2. Align the leg with the transverse cross bar and tighten all fasteners. Torque to 30 ft/lb. Confirm leg flanges are parallel with cross bar as shown.



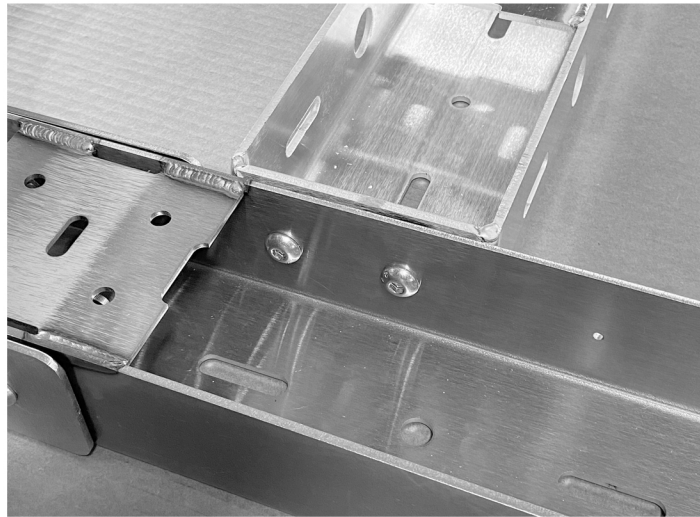
3. Connect one side of both of the longitudinal cross bar as shown. Use (2) 3/8"x1" button head bolts and flange lock nuts. Torque to 30 ft/lb.



4. Install the gate shaft bushing into the leg housing as shown for both sides of the rack. Install the gate shaft into the bushing.



6. Install the rubber stop to each of the (4) legs. Use (1) 6-32 x 3/4" machine screw and (1) 6-32 nylon lock nut for each stop.



5. Connect second side of both of the lateral cross bars to the transverse cross bar as shown. Use (2) 3/8"x1" button head bolts and flange lock nuts. Torque to 30 ft/lb.



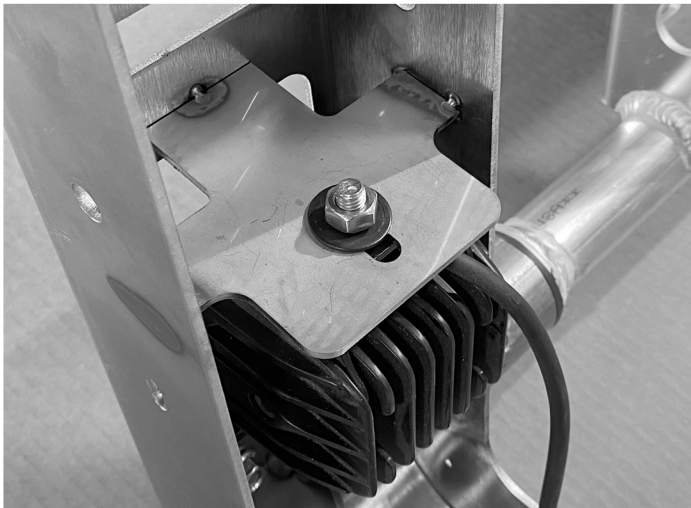
7. Install the base rails as shown to right and left sides of rack. 3. Connect one side of both of the lateral cross bar as shown. Torque to 30 ft/lb.



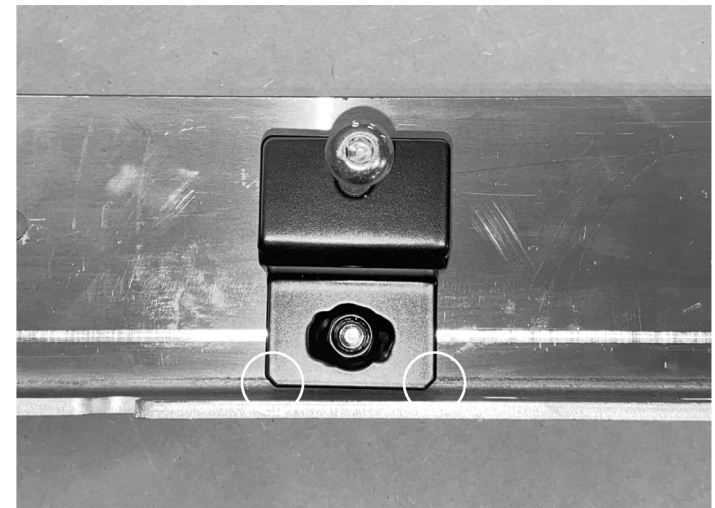
8. Close the gate door and lock into legs using (4) supplied pins. Install the accessory mount panel as shown using (4) 1/4" x 3/4" hex bolts, washer and nuts.



10. Route LED wires and harness on the right side of the vehicle using supplied wire clamp and push rivets as shown on the inside of the bed rails and cross bar assembly. Each leg and transverse cross bar has (9) holes, Each base rail has (7) holes.



9. install (4) 2" LED lights into legs as shown using 8mm x 25mm hex bolt, flat washer and lock washer.



11. Install the assembled rack to the vehicle. Do not install the clamps until after the rack is on the vehicle. Center the rack in the bed, using the (6) rail brackets clamp the bed rails to the vehicle. NOTE the chamfered corners of the bracket install to the rail first, then fasten the clamp bolt to secure the rail to the vehicle.

## USE OF THIS PRODUCT

Use of this product is limited to the application outlined in these instructions and is not intended to be installed on vehicles to which the product was not designed.

Make sure all fasteners are torqued to the specification outlined in the instructions. Check all fasteners periodically and inspect structural elements for excessive wear or corrosion.

ZROADZ, Inc is not liable for the performance of accessories mounted to the rack.

The rack is designed to load a maximum of 400lbs distributed evenly across the top of the rack during slow crawl off-road use, 800lbs of on-road driving and 1200lbs static load while the vehicle is stationary. Accessories mounted to other portions of the rack must be included in this calculation.

These capacities are for the rack only and are limited to the capacity of the vehicle itself.

This rack is not designed to carry any load during high speed, off-road driving. Use of this rack in this manner will void the product warranty and can cause damage to the vehicle.

Accessory mount plates located under the aluminum longitudinal cross bars are designed to hold a maximum of 90 lbs distributed evenly across all 6 plates. Accessory mount plates under the steel transverse cross bars are designed to hold a maximum of 75 lbs distributed evenly across all 3 plates for each cross bar.

Aluminum access gates with accessory mount plates installed are designed to hold 35 lbs of accessories. The access gate features MDS - MOLYBDENUM DISULFIDE FILLED (MDS) pivot bushings and do not require lubrication. Do not lubricate the nylon bushings.

Check your local and state laws regarding truck racks that can extend loads and devices outside the boundaries of the vehicle.

## WARANTY

ZROADZ, Inc Overland Cargo Racks are warranted for a period of 2 years against all defects in structural materials and workmanship provided that they are assembled, installed, and used in accordance with all manufacturer's specifications and instructions.

Powder coated racks can not be warranted against rust. Merchandise must be returned in the original box with original packaging or in similar manner to prevent damage.

In the unlikely event that this product must be returned for warranty consideration, follow the instructions below.

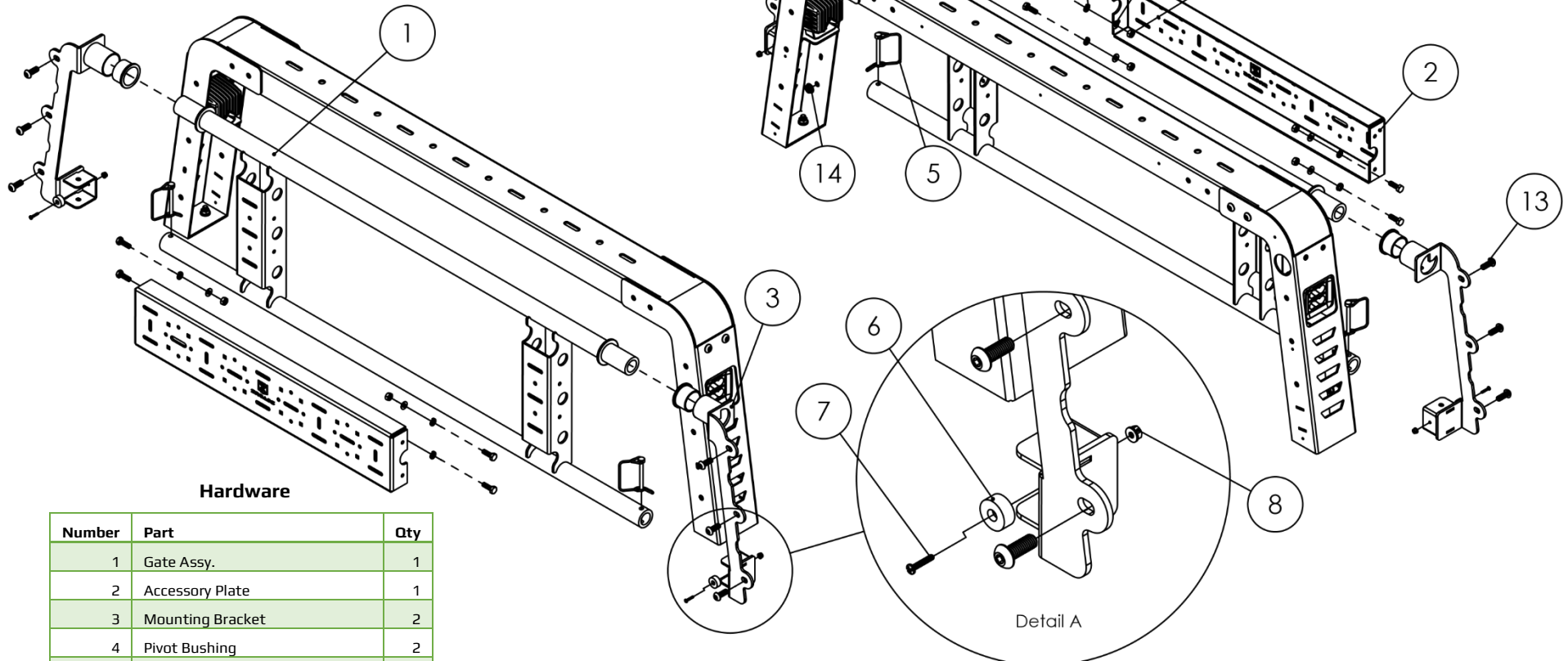
Please have the following information available when contacting our customer service department.

- > Copy of original purchase receipt
- >Description of the problem or issue
- Images of the product defect. The more clearly the images identify the issue, the faster your claim can be processed
- >Shipping address the replacement item is to be sent to

Once this information is received and the issue evaluated, we will be contacting you with further instructions, so please make sure the email address you provide is your primary email. PLEASE ALLOW 24-48 HOURS FOR A RESPONSE. Please note, open warranty claims must be completed within 45 days of RMA issuance



## Access Overland Rack Rear Gate (Z834001) Installation Guide



### Hardware

Number	Part	Qty
1	Gate Assy.	1
2	Accessory Plate	1
3	Mounting Bracket	2
4	Pivot Bushing	2
5	Steel Pin	2
6	Gate Bumper	2
7	6-32 x 1/2" Phillips Pan Screw	2
8	#6-32 SS Flange Nut	2
9	1/4" - 20 TPI X 1.00" Hex Bolt	4
10	1/4" Split Lock Washer	4
11	316 SS Flat Washer	4
12	1/4" Nut	4
13	3/8" x 1" Button Head Cap Screw	6
14	3/8" Flange Nut	6

### Instructions

Before mounting any parts of the gate, assemble the gate and its hardware. Steps 1-4 describe how to assemble the gate.

1. Attach the Accessory Plate [2] to the Gate Assy. [1]. Use (4) 1/4" - 20 TPI X 1.00 Hex Bolt [9], (4) 1/4" Lock Washers [10], (4) SS Flat Washers [11] and (4) 1/4" Nuts [12].
2. As shown in Detail A, secure the Gate Bumpers [6] onto the Mounting Brackets' [3] receiving clamp. Use a 6-32 x 1/2" Phillips Pan Screw [7] and a #6-32 SS Flange Nut [8] on each side of the gate.
3. Install the Pivot Bushings [4] into the sleeves of each Mounting Bracket [3].
4. Install both the Mounting Brackets [3] onto the gate. Secure this attachment by locking the Steel Pins [5] between the lower tubing and the receivers.
5. Once the gate has been assembled, mount the gate onto the rack's legs using (6) 3/8" x 1" Button Head Screws [13] and (6) 3/8" Flange Nuts [14]. Begin by hand tightening the top screws and following with the ones below. As you go down, try to align the gate on both sides. Once finished, you will know the rack is appropriately aligned if it can operate as intended and both the Steel Pins [5] can move freely between the lower tubing and its clamp receivers.