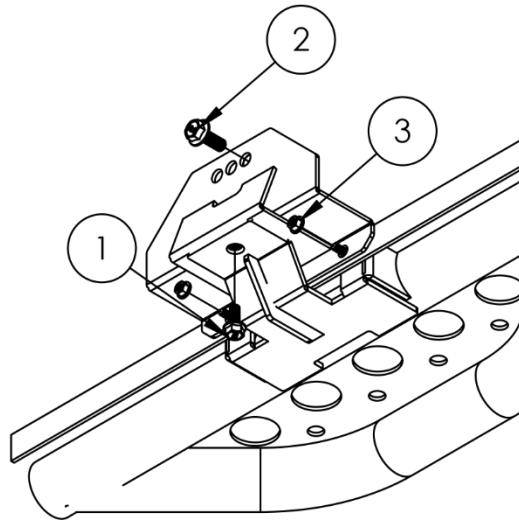
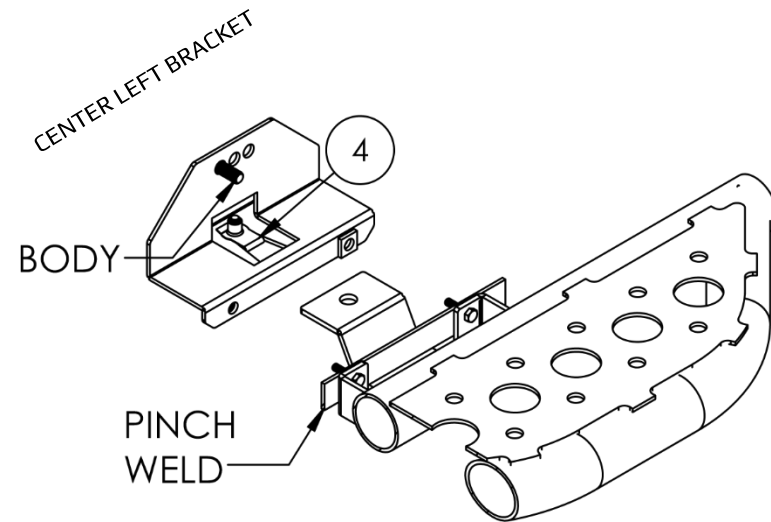




DRIVER SIDE



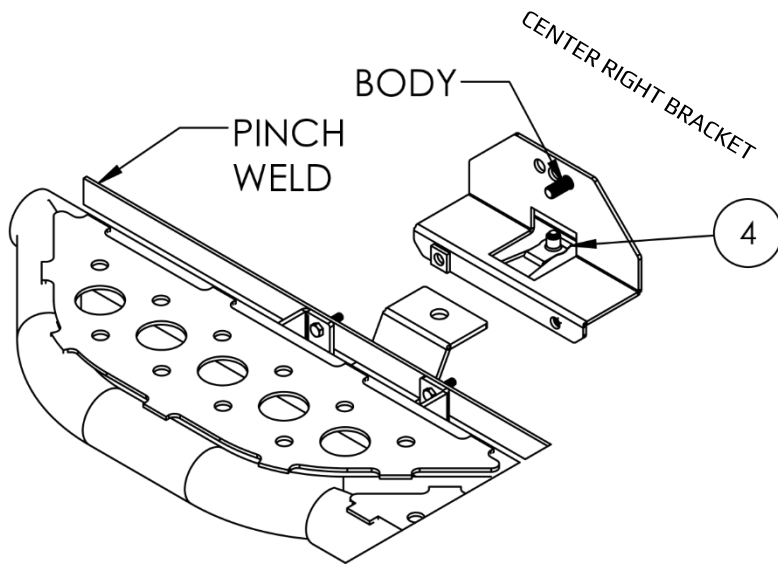
DRIVER SIDE BOTTOM VIEW



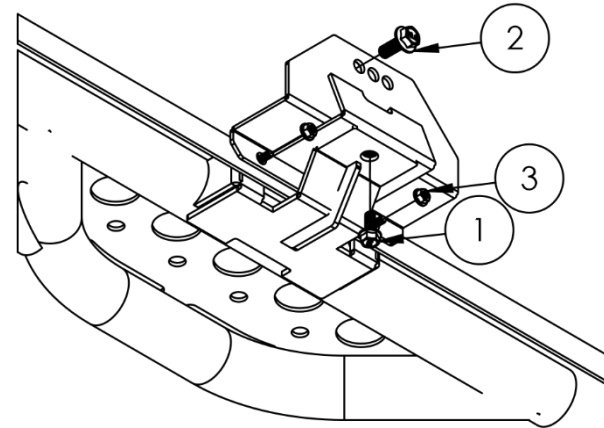
DRIVER SIDE TOP VIEW

Number	Description	Quantity
1	M8 x 1.25 MM, 25 MM LONG BOLT	2
2	M10 x 1.50 MM, 25 MM LONG BOLT	2
3	FLANGE LOCKNUT, M6 x 1 MM THREAD	8
4	CLIP-ON BARREL NUT, M8 x 1.25 MM	2

PASSENGER SIDE



PASSENGER SIDE TOP VIEW



PASSENGER SIDE BOTTOM VIEW