



# ZROADZ<sup>®</sup>

## OFF ROAD PRODUCTS



### 2021 FORD BRONCO

(Fits all except soft top)

4 DOOR - Z845401, Z845411, Z845421

CARGO RACK

© COPYRIGHT 2021 - ALL RIGHTS RESERVED- ZROADZ LED, INC.

## PARTS INCLUDED

### ALL Z8454XX MODELS

- (1) Front Crossbar w/ LED Bracket
- (1) Side Tubing Assembly (Left)
- (1) Side Tubing Assembly (Right)
- (1) Front Left Mounting Assembly
- (1) Front Right Mounting Assembly
- (1) Rear Tubing Assembly
- (2) Mid Clamping Bracket
- (1) Rear Clamping Bracket (Left)
- (1) Rear Clamping Bracket (Right)
- (2) Mid Crossbar
- (2) Rear Crossbar

## HARDWARE INCLUDED

### Z845401

- (6) M6 x 1.0 MM x 16 MM Screw (Black Oxide)
- (10) M8 x 1.25 MM x 30 MM Screw (Black Oxide)
- (24) M8 x 1.25 MM x 20 MM Screw (Black Oxide)
- (8) M8 x 1.25 MM Flange Nut
- (34) Split Lock Washer for M8 Screw Size (Black Oxide)
- (8) M6 Washer
- (4) M6 x 1.0 MM x 20 MM Screw (Black Oxide)
- (4) M6 Lock Nut
- (8) M8 Hex Nut (Stainless Steel)
- (8) M8 x 20 MM Hex Head Cap Screw
- (8) 3/8 "x 7.8" Metal Washer
- (8) M8 Split Lock Washer
- (4) 1/32" Rubber Padding
- (8) 1/8" Rubber Padding
- (4) 1/8" x 2" x 39" Rubber Padding
- (10) Zip Ties

### Z845411

Same as Z845401 but includes

- (8) 3" LED Pod Lights (6 White, 2 Amber) + Wiring

### Z845421

Same as Z845401 but includes

- (8) 3" LED Pod Lights (6 White, 2 Amber) + Wiring
- (1) 30" Light Bar + Wiring
- (2) Mounting Brackets for 30" Light Bar
- (2) M8 Mounting Hardware for Light Bar Brackets
- (2) 1/4" - 20 Nylon Lock Nut
- (2) 1/4" x 5/8" Flat Washer

## INSTALLATION GUIDE

### START HERE

PLEASE READ AND UNDERSTAND ALL INSTRUCTIONS BEFORE INSTALLATION. Auto makers offer varied models to each vehicle and occasionally manufacture more than one body style of the same model. To assure your part is correct; our tech department can be contacted at [orders@zroadz.com](mailto:orders@zroadz.com) to verify fitment and assist with technical questions. All other inquires can be directed to [orders@zroadz.com](mailto:orders@zroadz.com). In the event you do not have internet access please call 844-653-8040

\* APPLICATION MODELS VARY. WE RECOMMEND TO VERIFY FITMENT BEFORE BEGINNING INSTALLATION PROCESS.  
\* IMAGES FEATURED IN THE INSTRUCTION DOCUMENTS MAY NOT ALWAYS EXACTLY MATCH YOUR MODEL OR PART.

## STEP 1



### NOTE BEFORE YOU START INSTALLATION

Not included but required

- Blue Threadlocker
- Hand tools set
- (2) 60 in. x 2 in. x 4 in. Spacers or similar to install accessories on rack prior to attachment to the vehicle.

1) Remove the windshield caps to expose the roof rack mounting points by depressing the tab on the back side of the cover located closest to the roof panels.

## STEP 2



2) As shown to the left, install the provided (8) pieces of 1/8" Rubber Padding onto the bottom of each base.



## INSTALLATION - CONTINUED

### STEP 3



3) As shown above, install the (4) pieces of 1/32" Rubber Padding between the bend of the (4) Clamping Brackets.

### STEP 4



4) Assemble the male rear round center cross bar and side tube assemblies. Using (8) split lock washers and (8) M8 x 1.25 MM x 20 MM screws attach the rear crossbars to each pair of rear bases. (2x)

### STEP 5



5) Rear crossbars should be installed as shown above along with the male rear round center cross bar.

### STEP 6



6) As shown above, place the mid crossbars onto the bar brackets. Align them to the slots for your desired configuration.



## INSTALLATION - CONTINUED

### STEP 7



7) Install each mid crossbar using (4) split lock washers and (4) M8 x 1.25 MM x 20 MM screws (2x). **Do not tighten completely at this time.**

### STEP 9



9) Secure each front mounting assembly to its side tube assembly using (1) split lock washer and (1) M8 x 1.25 MM x 30 MM screw as shown above. **Do not tighten completely at this time.**

### STEP 8



8) Insert the front mounting assembly into the side tube assembly. Notice that each assembly corresponds to a particular side that is distinguished through the holes found only on one of its sides. Once identified, match these holes with the front crossbar flange and install the crossbar using (1) M6 x 1.0 MM x 20 MM screw, (1) M6 lock nut and (2) M6 washers for each flange hole (4x). **Do not tighten completely at this time.**

### STEP 10



10) Apply (2) pieces of 39" rubber padding onto each mid crossbar.



## INSTALLATION - CONTINUED

### STEP 11



11) Apply (2) pieces of 39" rubber padding onto each rear crossbar.

### STEP 12



12) If purchased, install the (8) ZROADZ LED pod lights and the 30" light bar. **Tighten the mid crossbar bolts from STEP 7.**

### STEP 13



13) With some help, lift the rack onto the roof of the truck. Any accessories should be attached to the rack at this step. Use (2) 2 x 4 wood boards or similar to position the rack on the roof and install accessories.

### STEP 14



14) Position the rack so that its front mounting bracket assemblies are directly above the factory roof rack mounting points. The front crossbar fasteners from STEP 8 and STEP 9 should be loose.



## INSTALLATION - CONTINUED

### STEP 15



15) Ensure that the mid and rear bases are aligned to sit on the lower part of the roof.

### STEP 16



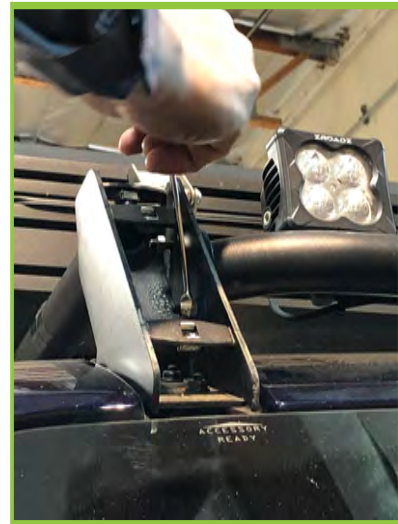
16) Once the rack has been aligned and accessories installed, lower the front brackets over the front factory mounting studs. The holes found on the bottom of the ZROADZ front brackets install over the factory accessory mounting studs as shown above. Use the factory nuts to secure the brackets.

### STEP 17



17) Install the (4) clamping brackets using (2) split lock washers and (2) M8 x 1.25 MM x 30 MM screws for each clamp base and bracket. Notice that there are (3) different clamping brackets. The brackets that are similar will need to be installed on the brackets closest to the front of the vehicle. The other two which are right and left sides will be installed in the rear. (Use blue threadlocker) on all clamp fasteners.

### STEP 18



18) With the rack aligned, tighten the front crossbar and tube bolt from STEP 8 and STEP 9.



**ZROADZ**®  
OFF ROAD PRODUCTS

## INSTALLATION - CONTINUED

### STEP 19



19) Using (3) M6 x 1.0 MM x 16 MM screws for each side, secure the cover onto each front mounting assembly (**Use bluethreadlocker**). Its corresponding side will be marked by a sticker identifying its correct side. Do not overtighten.



**ZROADZ**®  
OFF ROAD PRODUCTS

## ZROADZ PRODUCT WARRANTY

### ZROADZ PRODUCT WARRANTY

ZROADZ warrants its grille products to be free from defects in material and workmanship for the lifetime of the grille. ZROADZ warrants the finish of its grille products for a 3 year period beginning at the time of sale to the end user. These warranties are limited warranties and do not cover abuse, modification or improper installation nor do they cover finish failure caused by caustic cleaning agents, road salts or other chemicals. ZROADZ reserves the right to repair or replace a defective product at its sole discretion. Any ZROADZ product must be returned to ZROADZ for warranty consideration and must be returned at the customer's expense. In the event that the product is deemed to be defective, the repaired or replaced item will be returned via a surface shipping method to the customer at ZROADZ expense. No provision is made for any labor, rental car or other costs incurred by the failure of its products.

## LED LIGHTING EQUIPMENT INSTALLATION / DISCLAIMER

### WARNING

**PLEASE CONSULT YOUR LOCAL AUTOMOTIVE ELECTRICAL PROFESSIONAL FOR INSTALLATION SERVICES AND ADVICE.** ZROADZ IS ONLY EQUIPPED TO PROVIDE BASIC TECHNICAL ASSISTANCE DUE TO THE DIVERSITY OF VEHICLES, VEHICLE OPTIONS & MODIFICATIONS AND LIGHTING CONFIGURATION OPTIONS AVAILABLE. ZROADZ cannot be held liable due to improper component installation and / or faulty wiring.

### GENERAL GUIDELINES

LED Lights & LED Light Bars operate at relatively high currents and should only be installed by qualified personnel with experience in switched / relayed high draw DC Circuits.

- Light Bars are designed for use only with standard 12v DC power systems
- Light Bars are for OFF-ROAD USE ONLY. Check your local laws & regulations regarding vehicle mounted lights.
- Some Light Bars are equipped with waterproof connectors while others are simply pig-tailed
- Red Wires = POSITIVE | Black Wires = NEGATIVE
- ALWAYS install your lights on a fused circuit. Basic fusing guidelines: maximum 5A for every 10" of LED Light Bar.

### GENERAL USE, INSTALL AND ADJUSTMENT TIPS

NOTE 1: ZROADZ LED Light Bars themselves are for OFF-ROAD USE ONLY.

NOTE 2: Light Bars depending on the configuration of your vehicle and its options and/or modifications may need to be adjusted for appropriate beam projection. To adjust the angle of your light bars simply loosen the mounting hardware on either side of each Light Bar, rotate the Light Bar to adjust the angle, then tighten the hardware once the desired angle is achieved (please be careful not to over-tighten the mounting hardware or scratch the protective powder-coat finish). It is best to adjust the angle with the vehicle on level ground with the lights facing a wall, garage door or other solid barrier at a distance of approximately 25-30 feet.

NOTE 3: Please consult a qualified automotive electrical professional for light bar wiring installation.

NOTE 4: An optional universal wiring harness (part# Z390029S-A) is also available that includes high-heat & oil/fuel resistant wires, waterproof connector, 12v relay, 12v rocker switch, inline fuse holder. Our universal wiring harness significantly expedites the installation process but is not a vehicles specific "Plug & Play" product and does not eliminate the need for a professional installation.

Please contact your local ZROADZ dealer for more information or visit [www.zroadz.com](http://www.zroadz.com).

## PRODUCT CARE INFORMATION

### PRODUCT CARE INFORMATION

Wash regularly as you would when caring for your vehicles. Never use dish soap. Never leave wet water spots as that may leave a blemish.

### MATTE BLACK FINISH

Paint warranty applies to defects in material and / or workmanship, it does not cover the matte finish surface appearance.

To enjoy the matte appearance for many years to come, please follow these owner care and maintenance tips.

Get a no-shine matte car wash soap that uses no fillers, no silicone, and won't strip your matte paint of its layer of protection.

Do not use wax, detail spray, armorall®, or any products made for normal paint. Use only products specifically developed for matte finish paint. Do not use products that are even mildly abrasive, such as polishes, glazes, or rubbing compounds. Do not use mechanical cleaners or polishers. Do not use terrycloth, cloth, or paper towels. Do not rub the finish vigorously, this will burnish the paint finish, causing a permanent shiny spot. Shiny spots cannot be removed.

Do not use commercial car wash facilities or their shine enhancement products. Most car wash brushes, large mechanized "towels," and shine enhancement products can damage matte paint.

Remove foreign substances such as insect remains, tar, and road debris using a soft applicator and a mild solvent; saturate and soak area before cleaning—rub lightly.

Hand-wash with a soft wash mitt and mild cleaning product safe for matte paint. Use microfiber cleaning cloths with alcohol-based window cleaner for basic surface clean-up.

### GLOSS BLACK FINISH

ZROADZ with Gloss Black Powder Coated Finish may be washed regularly as you would when caring for your vehicles finish using soap and water. ZROADZ should be waxed at the same time that you wax the vehicle. As a general rule, anything you use to clean your vehicles painted surfaces can be used to clean and maintain your ZROADZ grille. A Gloss powder Coated Finish can be cared for in the same fashion that you would care for your vehicles factory paint job. Never leave wet water spots as that may leave a blemish.



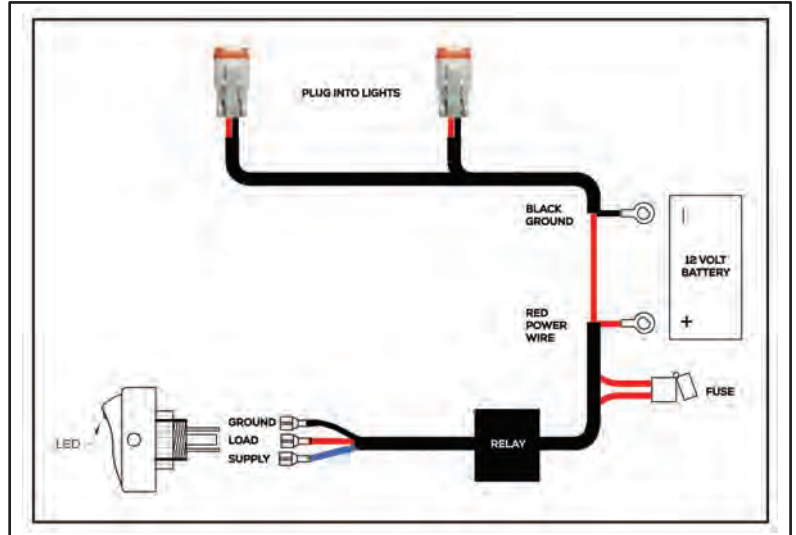
**ZROADZ**<sup>®</sup>  
OFF ROAD PRODUCTS

### MOUNTING YOUR LIGHTS

1. Choose a location on your vehicle to mount your light(s). Install the light(s) and loosely tighten. You will secure them later when aiming.

### WIRING YOUR LIGHTS

1. **Remove the fuse from the harness.** Find a suitable location inside the passenger compartment for your switch. Mark and drill a single hole with 49/64" Drill Bit. You may use the featured Diagram Template to mock up, position, and measure. Next carefully file 3 notches as shown.
2. Connect the harness to the light(s) and route the harness back towards the battery. Attach the **RED** wire to the positive side of the battery or power source. Attach the **BLACK** wire to the negative side of the battery or chassis ground.
3. Continue routing the switch side of the harness into the vehicle. Once the wires are inside the vehicle install the switch to the hole drilled during Step 1.
4. Before replacing the fuse, ensure the switch is in the off position (see below). Replace the fuse and turn on your lights.



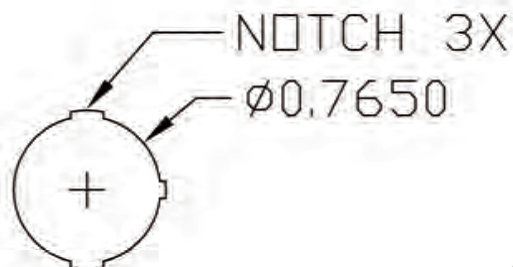
### AIMING YOUR LIGHTS

**Fog Lights** - The vertical aiming of fog lights is very important. Because of the low mounting position relative to the ground (12 to 30 inches), they should be aimed parallel to the ground or lower. Fog lights should be aimed so the cutoff is on or below your horizontal low beam for best results. The side to side adjustments are up to you. A large center overlap will increase center light and decrease overall width. A slight center overlap will increase your side lighting and give even coverage overall.

**Driving Lights** - Driving lights are used to supplement your high beams. They should only be used in conjunction with high beam headlights. The horizontal centers of the beams may be aimed at the same level as your high beam. The width is up to you as you may prefer to light the sides of the road at a distance rather than concentrating the majority of the light down the middle.

**Off Road Lights** - Since lights such as these are not legal on any public road or highway, aiming your off road or competition lights is entirely up to you. Most prefer the beam as far down the road as possible, others adjust them slightly off to the sides.

After aiming the lights to your preference, tighten all hardware.







**ZROADZ**®  
OFF ROAD PRODUCTS

## USE OF THIS PRODUCT

Use of this product is limited to the application outlined in these instructions and is not intended to be installed on vehicles to which the product was not designed.

Make sure all fasteners are torqued to the specification outlined in the instructions. Check all fasteners periodically and inspect structural elements for excessive wear or corrosion.

ZROADZ, Inc is not liable for the performance of accessories mounted to the rack.

The rack is designed to load a maximum of 195lbs distributed evenly across the top of the rack during slow crawl off-road use, 240lbs of on-road driving and 570lbs static load while the vehicle is stationary. Accessories mounted to other portions of the rack must be included in this calculation.

These capacities are for the rack only and are limited to the capacity of the vehicle itself.

This rack is not designed to carry any load during high speed, off-road driving. Use of this rack in this manner will void the product warranty and can cause damage to the vehicle.

Check your local and state laws regarding truck racks that can extend loads and devices outside the boundaries of the vehicle.

## WARANTY

ZROADZ, Inc Cargo Racks are warranted for a period of 2 years against all defects in structural materials and workmanship provided that they are assembled, installed, and used in accordance with all manufacturer's specifications and instructions.

Powder coated racks can not be warranted against rust. Merchandise must be returned in the original box with original packaging or in similar manner to prevent damage.

In the unlikely event that this product must be returned for warranty consideration, follow the instructions below.

1. Proof of purchase, copy of original invoice
2. Description of product issue
3. Images of the product defect. The more clearly the images identify the issue, the faster your claim can be processed
4. Shipping address the replacement item is to be sent to

Once this information is received and the issue evaluated, we will be contacting you with further instructions, so please make sure the email address you provide is your primary email. PLEASE ALLOW 24-48 HOURS FOR A RESPONSE. Please note, open warranty claims must be completed within 45 days of RMA issuance