



# ZROADZ<sup>®</sup>

## OFF ROAD PRODUCTS



### 2020-2021 FORD BRONCO

Z935401, Z935401-KIT, Z935401-KITAW

### FRONT ROOF LED BRACKET

PARTS ARE PATENT PENDING. ALL RIGHTS RESERVED - COPYRIGHT ©2016 - ZROADZ LED, INC.

## PARTS INCLUDED

### Z935401 + KITS

- (1) Front Roof LED Assembly
- (1) Left Mounting Bracket
- (1) Right Mounting Bracket

## HARDWARE INCLUDED

### Z935401 + KITS

- (8) M8 Hex Nut
- (8) M8 x 20 mm Hex Head Cap Screw
- (8) 3/8" x 7/8" Metal Washer
- (8) M8 Split Lock Washer
- (4) M6 x 16 mm Button Head Screw
- (10) Zip Ties

## LEDS INCLUDED

### Z935401

None

### Z935401-KIT

- (8) 3" White Pod Lights
- (1) Universal DT Wiring Harness
- (1) 8 LED Splitter

### Z935401-KITAW

- (6) 3" White Pod Lights
- (2) 3" Amber Pod Lights
- (1) Universal DT Wiring Harness
- (1) 8 LED Splitter

## INSTALLATION GUIDE

### START HERE

PLEASE READ AND UNDERSTAND ALL INSTRUCTIONS BEFORE INSTALLATION. Auto makers offer varied models to each vehicle and occasionally manufacture more than one body style of the same model. To assure your part is correct; our tech department can be contacted at [orders@zroadz.com](mailto:orders@zroadz.com) to verify fitment and assist with technical questions. All other inquires can be directed to [orders@zroadz.com](mailto:orders@zroadz.com). In the event you do not have internet access please call 844-653-8040

\* APPLICATION MODELS VARY. WE RECOMMEND TO VERIFY FITMENT BEFORE BEGINNING INSTALLATION PROCESS.  
\* IMAGES FEATURED IN THE INSTRUCTION DOCUMENTS MAY NOT ALWAYS EXACTLY MATCH YOUR MODEL OR PART.

## STEP 1



- 1) Install the LED pod lights onto the Front Roof LED Assembly. Use (1) M8 Hex Nut, (1) M8 x 20 mm Hex Head Cap Screw, (1) Metal Washer and (1) Split Lock Washer for each LED pod light.

## STEP 2



- 2) Remove the windshield caps to expose the Front Roof LED Assembly mounting points by depressing the tab on the back side of the cover located closest to the roof panels.



## INSTALLATION - CONTINUED

PARTS ARE PATENT PENDING. ALL RIGHTS RESERVED - COPYRIGHT ©2016 - ZROADZ LED, INC.

### STEP 3



3) Using a 10 mm hex nut driver, remove the newly exposed covers by unscrewing the holding nuts.

### STEP 4



4) Replace the plastic cover with the mounting brackets provided. Each bracket corresponds to a particular side determined by the bolts. Use the same previously removed nuts to tighten the bracket.

### STEP 5



5) Bring the Front Roof LED Assembly over to the mounting brackets and align the mounting holes to the clip-on nuts. Use (2) of the M6 x 16 mm Button Head Screws to secure each side.

### STEP 6



6) Complete the wiring of the LED pods. Use zip ties to discretely run the wiring. This completes the instructional guide for Z935401 / Z935401-KIT / Z935401-KITAW.



# ZROADZ

DYNAMIC LED MOUNTING SOLUTIONS

## ZROADZ PRODUCT WARRANTY

### ZROADZ PRODUCT WARRANTY

ZROADZ warrants its grille products to be free from defects in material and workmanship for the lifetime of the grille. ZROADZ warrants the finish of its grille products for a 3 year period beginning at the time of sale to the end user. These warranties are limited warranties and do not cover abuse, modification or improper installation nor do they cover finish failure caused by caustic cleaning agents, road salts or other chemicals. ZROADZ reserves the right to repair or replace a defective product at its sole discretion. Any ZROADZ product must be returned to ZROADZ for warranty consideration and must be returned at the customer's expense. In the event that the product is deemed to be defective, the repaired or replaced item will be returned via a surface shipping method to the customer at ZROADZ expense. No provision is made for any labor, rental car or other costs incurred by the failure of its products.

## LED LIGHTING EQUIPMENT INSTALLATION / DISCLAIMER

### WARNING

**PLEASE CONSULT YOUR LOCAL AUTOMOTIVE ELECTRICAL PROFESSIONAL FOR INSTALLATION SERVICES AND ADVICE.** ZROADZ IS ONLY EQUIPPED TO PROVIDE BASIC TECHNICAL ASSISTANCE DUE TO THE DIVERSITY OF VEHICLES, VEHICLE OPTIONS & MODIFICATIONS AND LIGHTING CONFIGURATION OPTIONS AVAILABLE. ZROADZ cannot be held liable due to improper component installation and / or faulty wiring.

### GENERAL GUIDELINES

LED Lights & LED Light Bars operate at relatively high currents and should only be installed by qualified personnel with experience in switched / relayed high draw DC Circuits.

- Light Bars are designed for use only with standard 12v DC power systems
- Light Bars are for OFF-ROAD USE ONLY. Check your local laws & regulations regarding vehicle mounted lights.
- Some Light Bars are equipped with waterproof connectors while others are simply pig-tailed
- Red Wires = POSITIVE | Black Wires = NEGATIVE
- ALWAYS install your lights on a fused circuit. Basic fusing guidelines: maximum 5A for every 10" of LED Light Bar.

### GENERAL USE, INSTALL AND ADJUSTMENT TIPS

NOTE 1: ZROADZ LED Light Bars themselves are for OFF-ROAD USE ONLY.

NOTE 2: Light Bars depending on the configuration of your vehicle and its options and/or modifications may need to be adjusted for appropriate beam projection. To adjust the angle of your light bars simply loosen the mounting hardware on either side of each Light Bar, rotate the Light Bar to adjust the angle, then tighten the hardware once the desired angle is achieved (please be careful not to over-tighten the mounting hardware or scratch the protective powder-coat finish). It is best to adjust the angle with the vehicle on level ground with the lights facing a wall, garage door or other solid barrier at a distance of approximately 25-30 feet.

NOTE 3: Please consult a qualified automotive electrical professional for light bar wiring installation.

NOTE 4: An optional universal wiring harness (part# Z390029S-A) is also available that includes high-heat & oil/fuel resistant wires, waterproof connector, 12v relay, 12v rocker switch, inline fuse holder. Our universal wiring harness significantly expedites the installation process but is not a vehicles specific "Plug & Play" product and does not eliminate the need for a professional installation.

Please contact your local ZROADZ dealer for more information or visit [www.zroadz.com](http://www.zroadz.com).

## PRODUCT CARE INFORMATION

### PRODUCT CARE INFORMATION

Wash regularly as you would when caring for your vehicles. Never use dish soap. Never leave wet water spots as that may leave a blemish.

### MATTE BLACK FINISH

Paint warranty applies to defects in material and / or workmanship, it does not cover the matte finish surface appearance.

To enjoy the matte appearance for many years to come, please follow these owner care and maintenance tips.

Get a no-shine matte car wash soap that uses no fillers, no silicone, and won't strip your matte paint of its layer of protection.

Do not use wax, detail spray, armorall®, or any products made for normal paint. Use only products specifically developed for matte finish paint. Do not use products that are even mildly abrasive, such as polishes, glazes, or rubbing compounds. Do not use mechanical cleaners or polishers. Do not use terrycloth, cloth, or paper towels. Do not rub the finish vigorously, this will burnish the paint finish, causing a permanent shiny spot. Shiny spots cannot be removed.

Do not use commercial car wash facilities or their shine enhancement products. Most car wash brushes, large mechanized "towels," and shine enhancement products can damage matte paint.

Remove foreign substances such as insect remains, tar, and road debris using a soft applicator and a mild solvent; saturate and soak area before cleaning—rub lightly.

Hand-wash with a soft wash mitt and mild cleaning product safe for matte paint. Use microfiber cleaning cloths with alcohol-based window cleaner for basic surface clean-up.

### GLOSS BLACK FINISH

ZROADZ with Gloss Black Powder Coated Finish may be washed regularly as you would when caring for your vehicles finish using soap and water. ZROADZ should be waxed at the same time that you wax the vehicle. As a general rule, anything you use to clean your vehicles painted surfaces can be used to clean and maintain your ZROADZ grille. A Gloss powder Coated Finish can be cared for in the same fashion that you would care for your vehicles factory paint job. Never leave wet water spots as that may leave a blemish.

**PARTS ARE PATENT PENDING. ALL RIGHTS RESERVED - COPYRIGHT ©2022- ZROADZ LED, INC.**



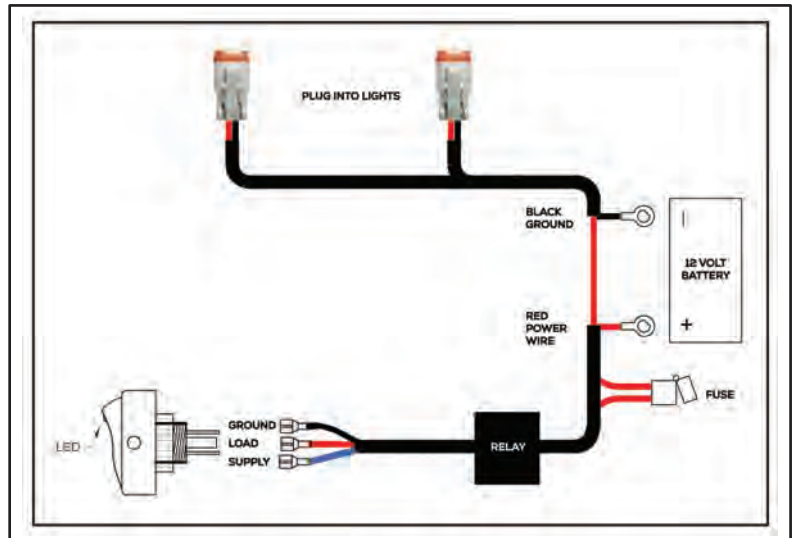
**ZROADZ**<sup>®</sup>  
OFF ROAD PRODUCTS

### MOUNTING YOUR LIGHTS

1. Choose a location on your vehicle to mount your light(s). Install the light(s) and loosely tighten. You will secure them later when aiming.

### WIRING YOUR LIGHTS

1. **Remove the fuse from the harness.** Find a suitable location inside the passenger compartment for your switch. Mark and drill a single hole with 49/64" Drill Bit. You may use the featured Diagram Template to mock up, position, and measure. Next carefully file 3 notches as shown.
2. Connect the harness to the light(s) and route the harness back towards the battery. Attach the **RED** wire to the positive side of the battery or power source. Attach the **BLACK** wire to the negative side of the battery or chassis ground.
3. Continue routing the switch side of the harness into the vehicle. Once the wires are inside the vehicle install the switch to the hole drilled during Step 1.
4. Before replacing the fuse, ensure the switch is in the off position (see below). Replace the fuse and turn on your lights.



### AIMING YOUR LIGHTS

**Fog Lights** - The vertical aiming of fog lights is very important. Because of the low mounting position relative to the ground (12 to 30 inches), they should be aimed parallel to the ground or lower. Fog lights should be aimed so the cutoff is on or below your horizontal low beam for best results. The side to side adjustments are up to you. A large center overlap will increase center light and decrease overall width. A slight center overlap will increase your side lighting and give even coverage overall.

**Driving Lights** - Driving lights are used to supplement your high beams. They should only be used in conjunction with high beam headlights. The horizontal centers of the beams may be aimed at the same level as your high beam. The width is up to you as you may prefer to light the sides of the road at a distance rather than concentrating the majority of the light down the middle.

**Off Road Lights** - Since lights such as these are not legal on any public road or highway, aiming your off road or competition lights is entirely up to you. Most prefer the beam as far down the road as possible, others adjust them slightly off to the sides.

After aiming the lights to your preference, tighten all hardware.

